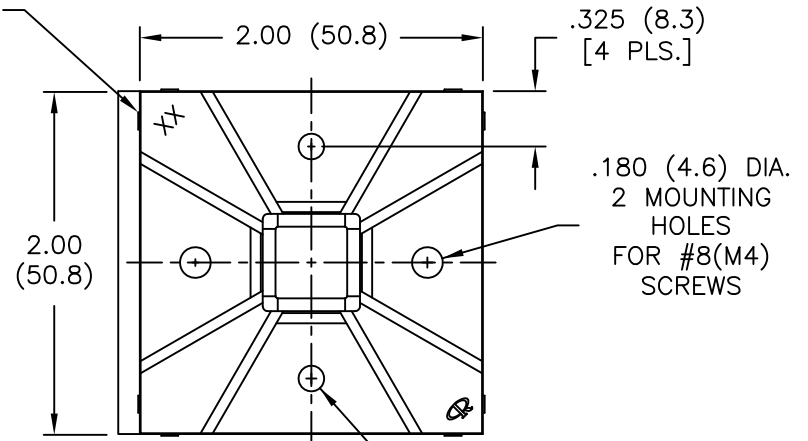
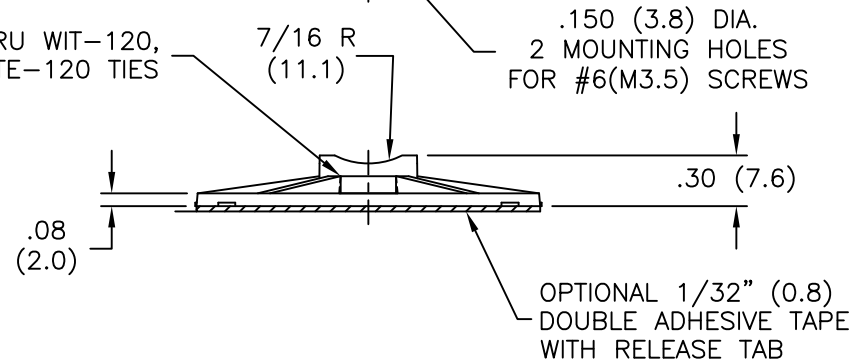


PART NO.	MATERIAL	COLOR	ADHESIVE
FTH-10-01	NYLON 6/6 (RMS-01)	NATURAL	NONE
FTH-10A-RT			ACRYLIC TAPE (RMS-15), WHITE LINER

THESE BUMPS MAY NOT APPEAR ON PART (8PLS)



ACCOMMODATES WIT-18 THRU WIT-120, AND QTE-18 THRU QTE-120 TIES



NOTES:

1. NYLON 6/6 (RMS-01),  
 COLOR: NATURAL,  
 RUBBER ADHESIVE TAPE (RMS-102), BLUE LINER,  
 AVAILABLE BY SPECIAL ORDER ONLY;  
 TO ORDER USE P/N FTH-10A1-RT.

FLAME RETARDANT NYLON (RMS-19),  
 COLOR: NATURAL,  
 ACRYLIC ADHESIVE TAPE (RMS-15), WHITE LINER,  
 AVAILABLE BY SPECIAL ORDER ONLY;  
 TO ORDER USE P/N FTH-10A-RT-19  
 OR FTH-10-19 (WITHOUT TAPE).

UV STABILIZED NYLON (RMS-46),  
 COLOR: BLACK,  
 ACRYLIC ADHESIVE TAPE (RMS-15), WHITE LINER,  
 AVAILABLE BY SPECIAL ORDER ONLY;  
 TO ORDER USE P/N FTH-10A-RT-UVB  
 OR FTH-10-UVB (WITHOUT TAPE),  
 RUBBER ADHESIVE TAPE (RMS-102), BLUE LINER,  
 AVAILABLE BY SPECIAL ORDER ONLY.  
 TO ORDER USE P/N FTH-10A1-RT-UVB.

TITLE: FLAT TIE HOLDER		DWG IN IN (MM) FINAL			
FILE # FTH-10	DWN: JL	APP:	PART #	PRINT TYPE	CA
MAT'L: SEE NOTES	DT: 01.10.00	DT:			
RE: RICHCO, INC.	RICHCO INC. PO BOX 804238, CHICAGO, 60680 (773) 539-4060		SEE TABLE		

REV	DESCRIPTION	ENGR DATE
E	SEE CO 200248 FOR CHANGES	SK 10.30.08
D	SEE ECN #1124 FOR CHANGES	SK 01.24.06
C	COMPLETELY RE-DRAWN & CHANGED FILE#	SM 10.18.01
B	ADDED (RMS-102) BY SPECIAL ORDER ONLY	JL 08.22.00
A	MAT'L NOTES UPDATED	JL 01.10.00

TOLERANCES UNLESS NOTED .XX=±.010 .XXX=±.005 FRAC=±1/64 ANG=±1'
---